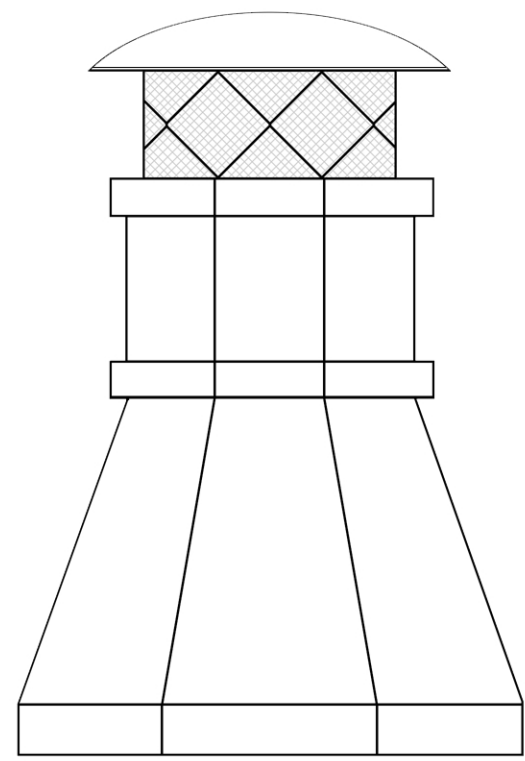
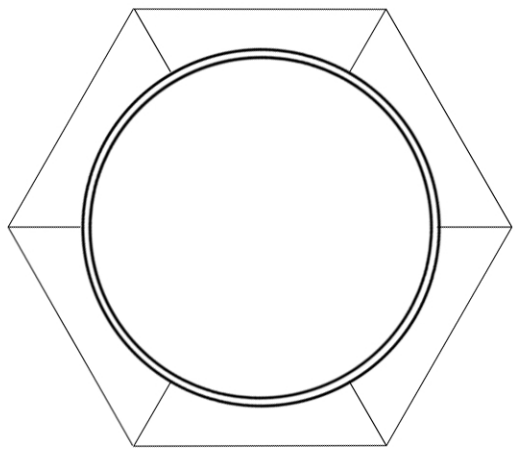




566 W 5TH AVE.
 NAPERVILLE, IL 60563
 PHONE: 630-857-3631
 EMAIL: SALVOMETALWORKS@ME.COM
 WEBSITE: SALVOMETALWORKS.COM

600



- COPPER 16 OZ 20 OZ _____
- GALVANIZED 24 GAUGE _____
- 304 STAINLESS STEEL _____
- KYNAR STEEL 24 GAUGE OR 26 GAUGE COLOR _____
- KYNAR STEEL 24 GAUGE OR 26 GAUGE COLOR _____
- ZINC _____
- COLORED COPPER _____

APPROVAL SECTION

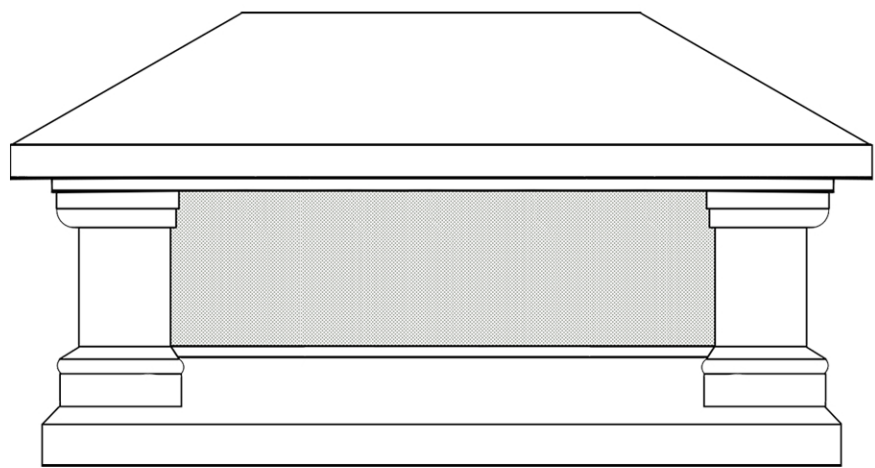
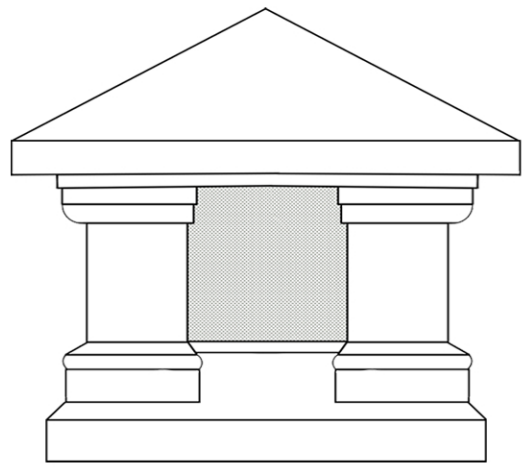
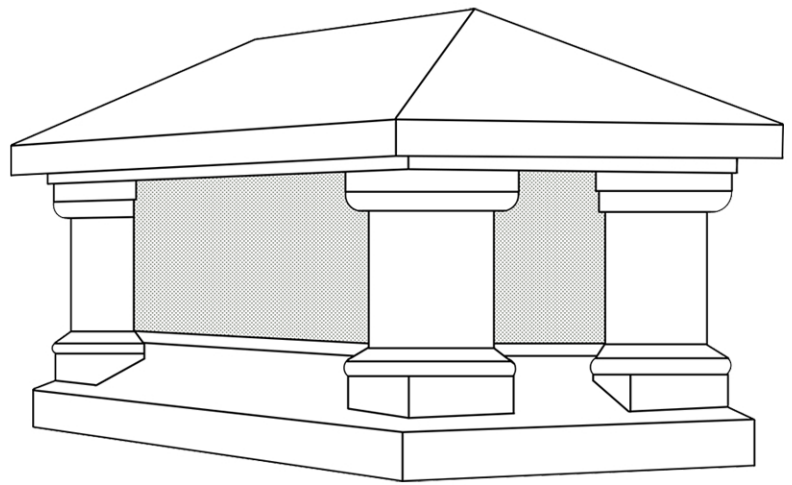
APPROVED BY: _____
Print Name Signature

JOB DETAILS:



566 W 5TH AVE.
 NAPERVILLE, IL 60563
 PHONE: 630-857-3631
 EMAIL: SALVOMETALWORKS@ME.COM
 WEBSITE: SALVOMETALWORKS.COM

60I



- COPPER 16 OZ 20 OZ _____
- GALVANIZED 24 GAUGE _____
- 304 STAINLESS STEEL _____
- KYNAR STEEL 24 GAUGE OR 26 GAUGE COLOR _____
- KYNAR STEEL 24 GAUGE OR 26 GAUGE COLOR _____
- ZINC _____
- COLORED COPPER _____

APPROVAL SECTION

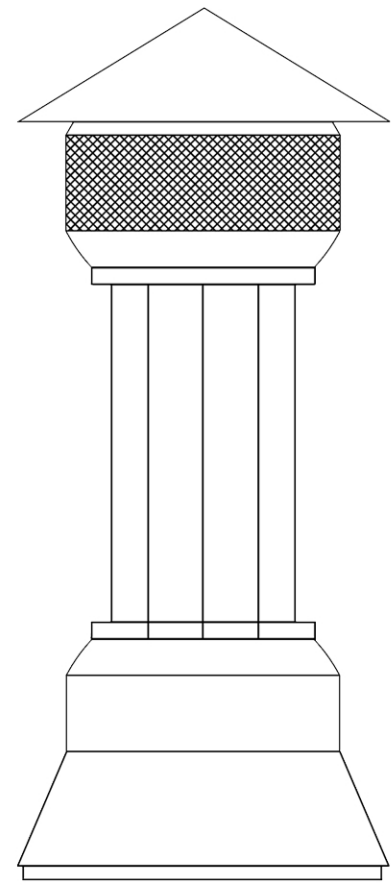
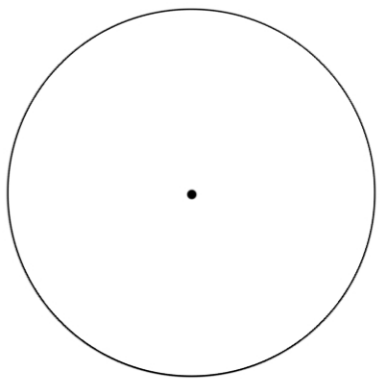
APPROVED BY: _____
Print Name Signature

JOB DETAILS:



566 W 5TH AVE.
 NAPERVILLE, IL 60563
 PHONE: 630-857-3631
 EMAIL: SALVOMETALWORKS@ME.COM
 WEBSITE: SALVOMETALWORKS.COM

602



- COPPER 16 OZ 20 OZ _____
- GALVANIZED 24 GAUGE _____
- 304 STAINLESS STEEL _____
- KYNAR STEEL 24 GAUGE OR 26 GAUGE COLOR _____
- KYNAR STEEL 24 GAUGE OR 26 GAUGE COLOR _____
- ZINC _____
- COLORED COPPER _____

APPROVAL SECTION

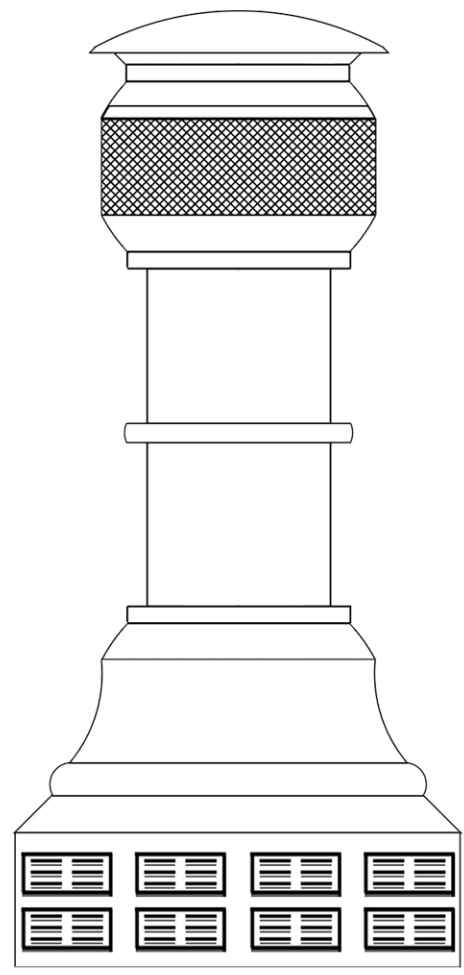
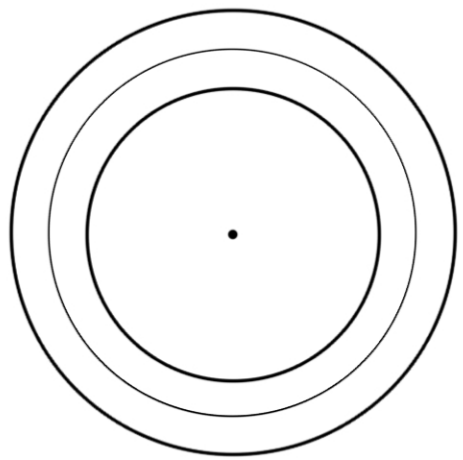
APPROVED BY: _____
Print Name Signature

JOB DETAILS:



566 W 5TH AVE.
 NAPERVILLE, IL 60563
 PHONE: 630-857-3631
 EMAIL: SALVOMETALWORKS@ME.COM
 WEBSITE: SALVOMETALWORKS.COM

603



- COPPER 16 OZ 20 OZ _____
- GALVANIZED 24 GAUGE _____
- 304 STAINLESS STEEL _____
- KYNAR STEEL 24 GAUGE OR 26 GAUGE COLOR _____
- KYNAR STEEL 24 GAUGE OR 26 GAUGE COLOR _____
- ZINC _____
- COLOR COPPER _____

APPROVAL SECTION

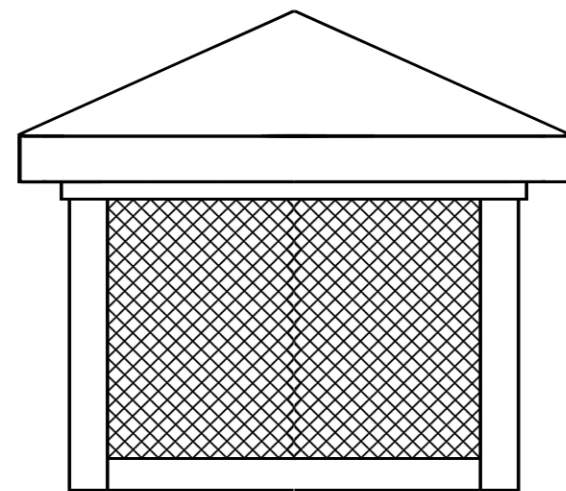
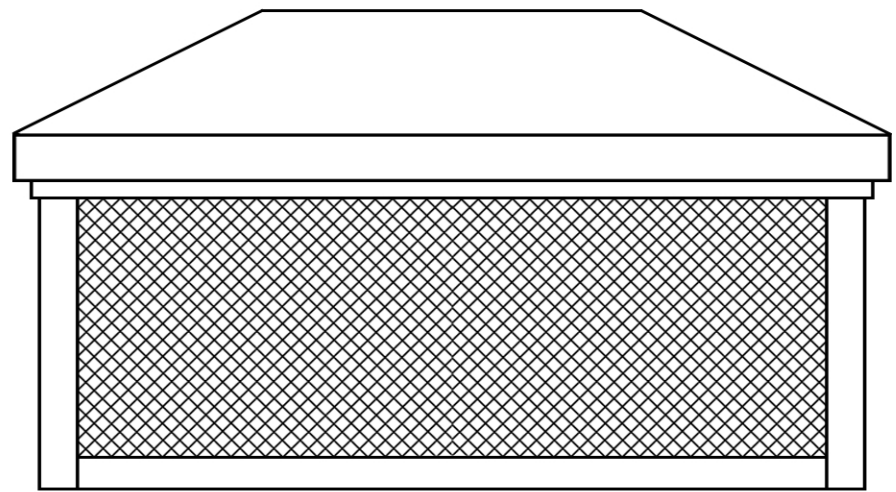
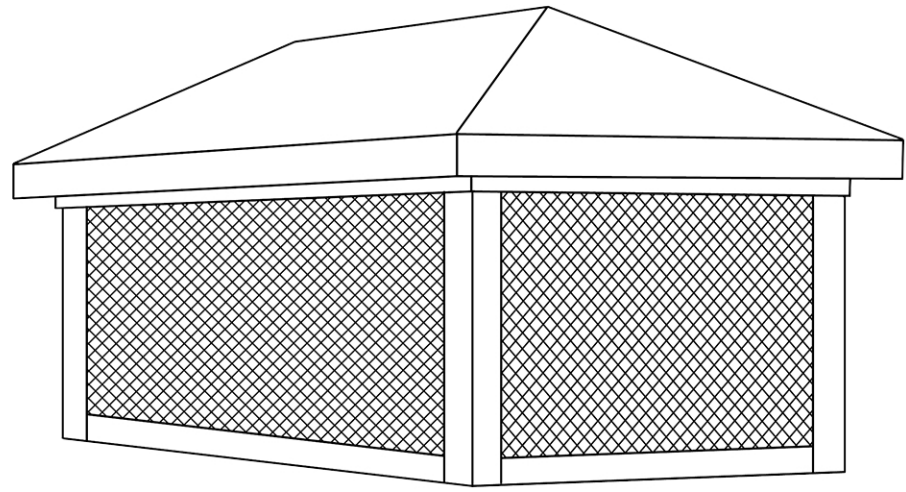
APPROVED BY: _____
Print Name Signature

JOB DETAILS:



566 W 5TH AVE.
 NAPERVILLE, IL 60563
 PHONE: 630-857-3631
 EMAIL: SALVOMETALWORKS@ME.COM
 WEBSITE: SALVOMETALWORKS.COM

604



- COPPER 16 OZ 20 OZ _____
- GALVANIZED 24 GAUGE _____
- 304 STAINLESS STEEL _____
- KYNAR STEEL 24 GAUGE OR 26 GAUGE COLOR _____
- KYNAR STEEL 24 GAUGE OR 26 GAUGE COLOR _____
- ZINC _____
- COLORED COPPER _____

APPROVAL SECTION

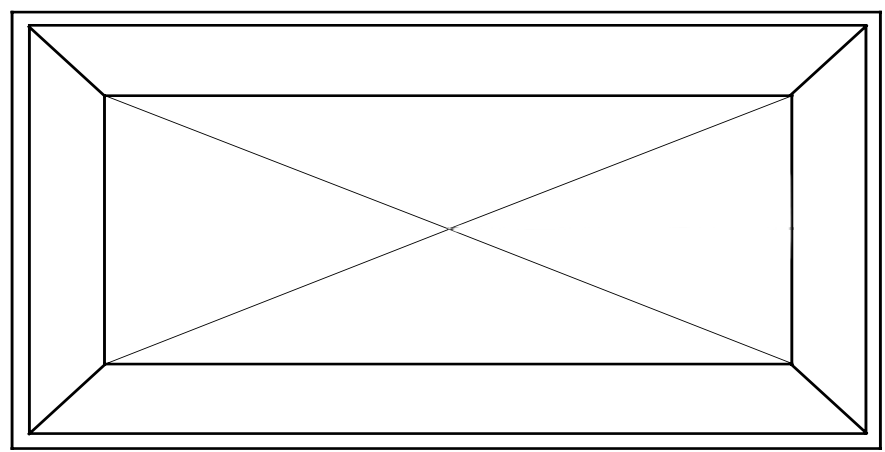
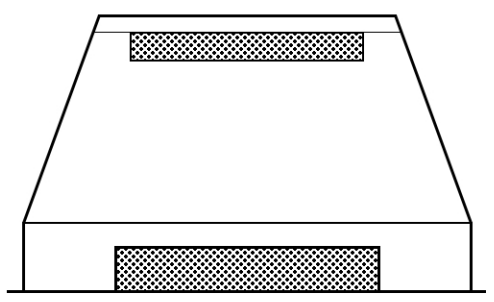
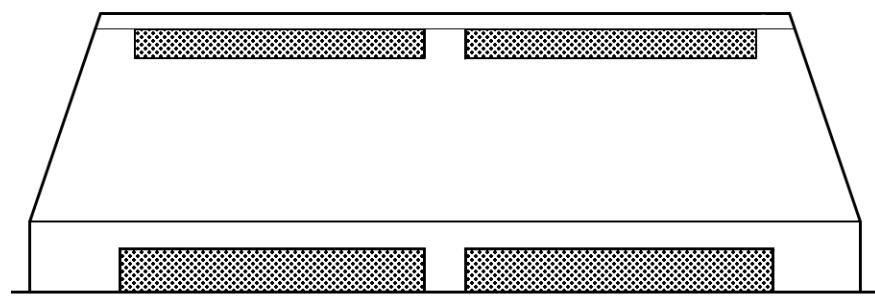
APPROVED BY: _____
Print Name Signature

JOB DETAILS:



566 W 5TH AVE.
 NAPERVILLE, IL 60563
 PHONE: 630-857-3631
 EMAIL: SALVOMETALWORKS@ME.COM
 WEBSITE: SALVOMETALWORKS.COM

605



- COPPER 16 OZ 20 OZ _____
- GALVANIZED 24 GAUGE _____
- 304 STAINLESS STEEL _____
- KYNAR STEEL 24 GAUGE OR 26 GAUGE COLOR _____
- KYNAR STEEL 24 GAUGE OR 26 GAUGE COLOR _____
- ZINC _____
- COLORED COPPER _____

APPROVAL SECTION

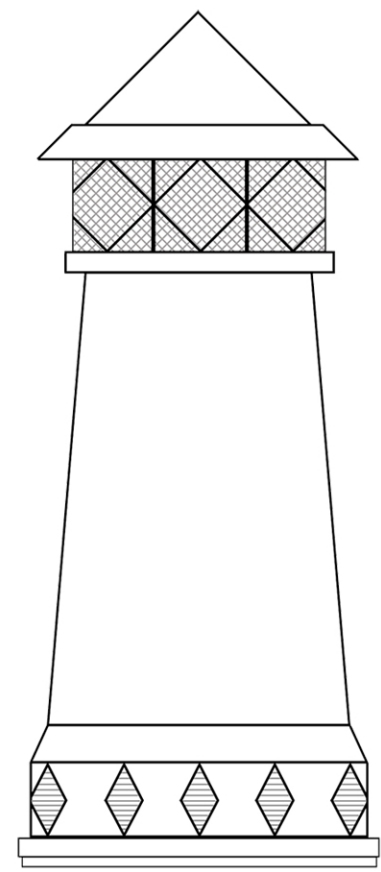
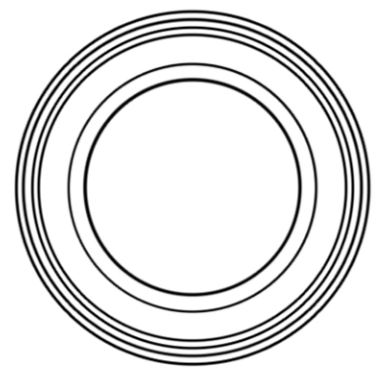
APPROVED BY: _____
 Print Name Signature

JOB DETAILS:



566 W 5TH AVE.
 NAPERVILLE, IL 60563
 PHONE: 630-857-3631
 EMAIL: SALVOMETALWORKS@ME.COM
 WEBSITE: SALVOMETALWORKS.COM

606



- COPPER 16 OZ 20 OZ _____
- GALVANIZED 24 GAUGE _____
- 304 STAINLESS STEEL _____
- KYNAR STEEL 24 GAUGE OR 26 GAUGE COLOR _____
- KYNAR STEEL 24 GAUGE OR 26 GAUGE COLOR _____
- ZINC _____
- COLORED COPPER _____

APPROVAL SECTION

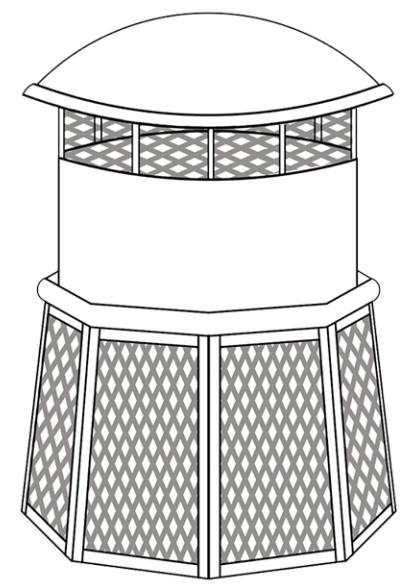
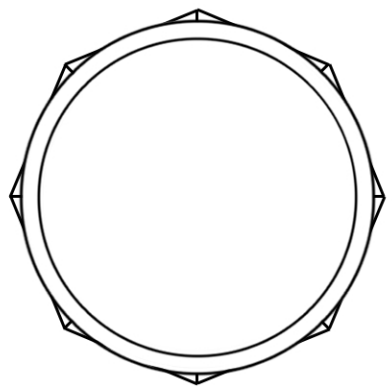
APPROVED BY: _____
Print Name Signature

JOB DETAILS:



566 W 5TH AVE.
 NAPERVILLE, IL 60563
 PHONE: 630-857-3631
 EMAIL: SALVOMETALWORKS@ME.COM
 WEBSITE: SALVOMETALWORKS.COM

607



COPPER 16 OZ 20 OZ _____
 GALVANIZED 24 GAUGE _____
 304 STAINLESS STEEL _____
 KYNAR STEEL 24 GAUGE OR 26 GAUGE COLOR _____
 KYNAR STEEL 24 GAUGE OR 26 GAUGE COLOR _____
 ZINC _____
 COLORED COPPER _____

APPROVAL SECTION

APPROVED BY: _____

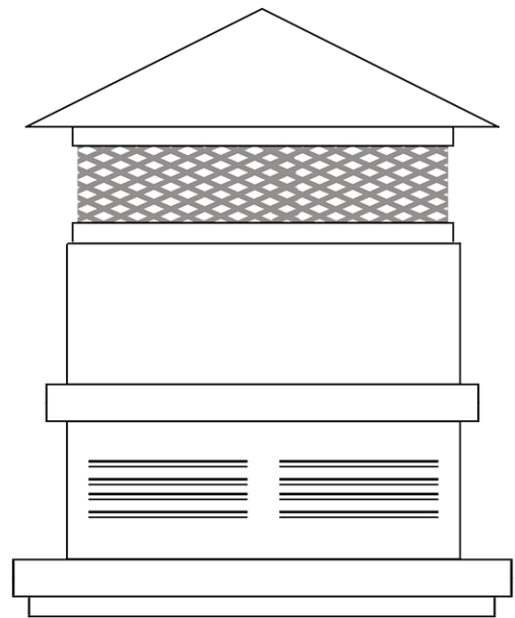
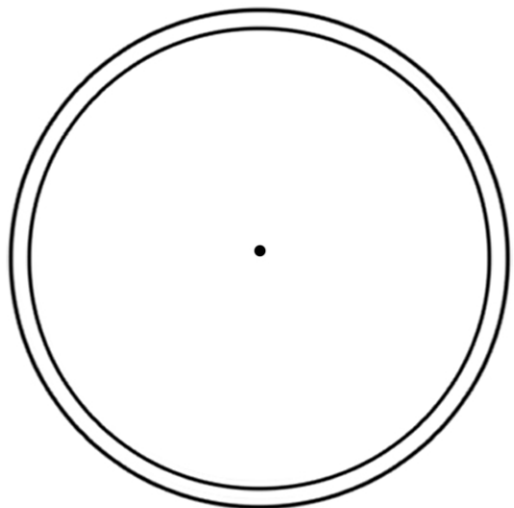
Print Name _____ Signature _____

JOB DETAILS:



566 W 5TH AVE.
 NAPERVILLE, IL 60563
 PHONE: 630-857-3631
 EMAIL: SALVOMETALWORKS@ME.COM
 WEBSITE: SALVOMETALWORKS.COM

608



- COPPER 16 OZ 20 OZ _____
- GALVANIZED 24 GAUGE _____
- 304 STAINLESS STEEL _____
- KYNAR STEEL 24 GAUGE OR 26 GAUGE COLOR _____
- KYNAR STEEL 24 GAUGE OR 26 GAUGE COLOR _____
- ZINC _____
- COLORED COPPER _____

APPROVAL SECTION

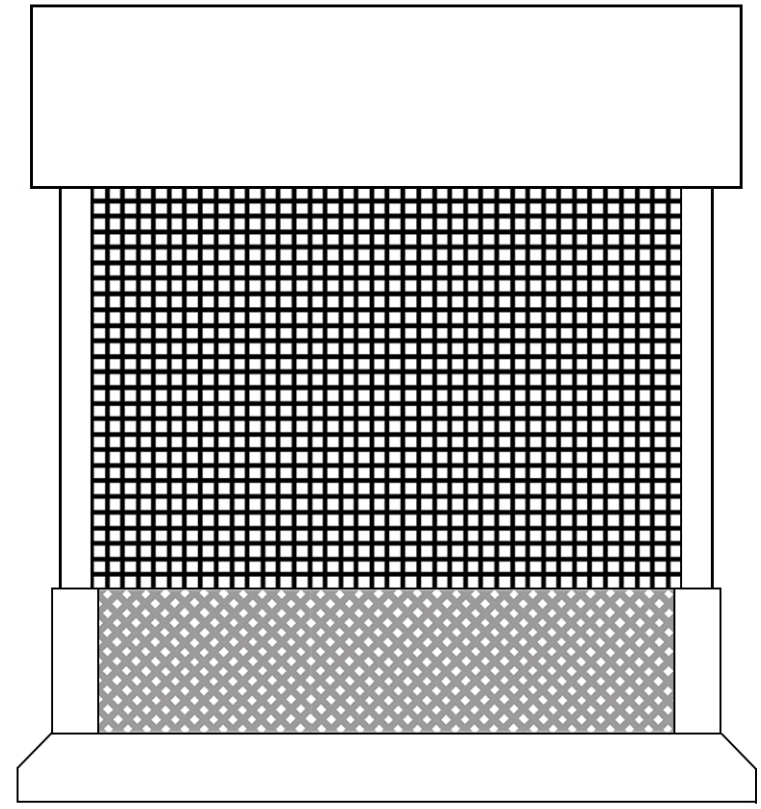
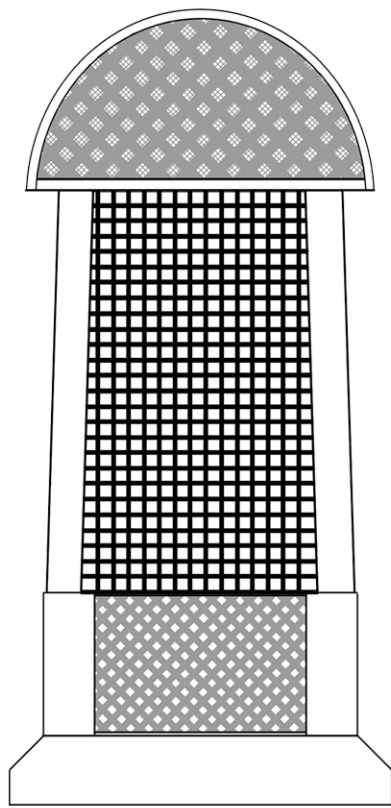
APPROVED BY: _____
Print Name Signature

JOB DETAILS:



566 W 5TH AVE.
 NAPERVILLE, IL 60563
 PHONE: 630-857-3631
 EMAIL: SALVOMETALWORKS@ME.COM
 WEBSITE: SALVOMETALWORKS.COM

609



- COPPER 16 OZ 20 OZ _____
- GALVANIZED 24 GAUGE _____
- 304 STAINLESS STEEL _____
- KYNAR STEEL 24 GAUGE OR 26 GAUGE COLOR _____
- KYNAR STEEL 24 GAUGE OR 26 GAUGE COLOR _____
- ZINC _____
- COLORED COPPER _____

APPROVAL SECTION

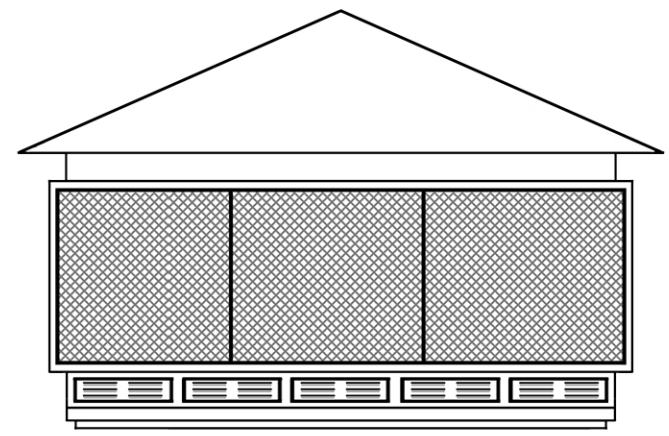
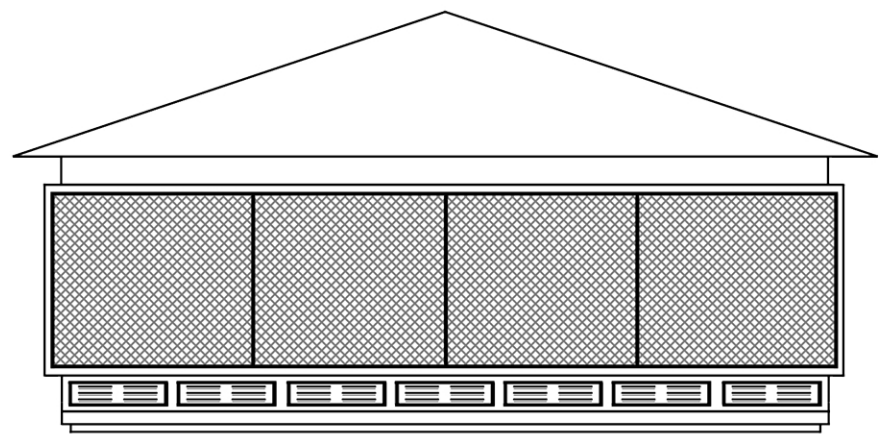
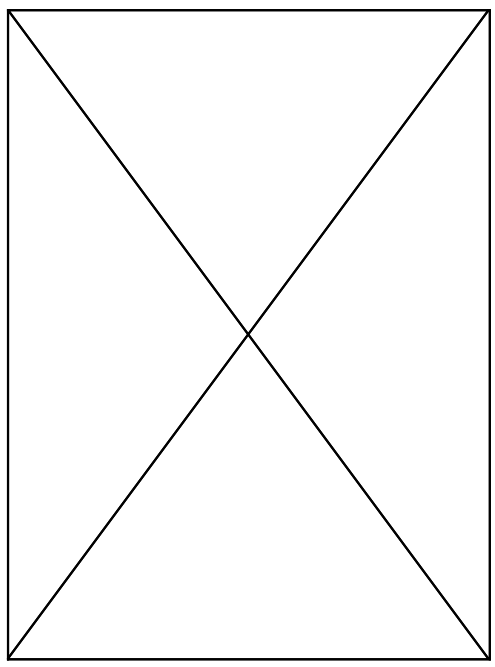
APPROVED BY: _____
 Print Name Signature

JOB DETAILS:



566 W 5TH AVE.
 NAPERVILLE, IL 60563
 PHONE: 630-857-3631
 EMAIL: SALVOMETALWORKS@ME.COM
 WEBSITE: SALVOMETALWORKS.COM

610



- COPPER 16 OZ 20 OZ _____
- GALVANIZED 24 GAUGE _____
- 304 STAINLESS STEEL _____
- KYNAR STEEL 24 GAUGE OR 26 GAUGE COLOR _____
- KYNAR STEEL 24 GAUGE OR 26 GAUGE COLOR _____
- ZINC _____
- COLORED COPPER _____

APPROVAL SECTION

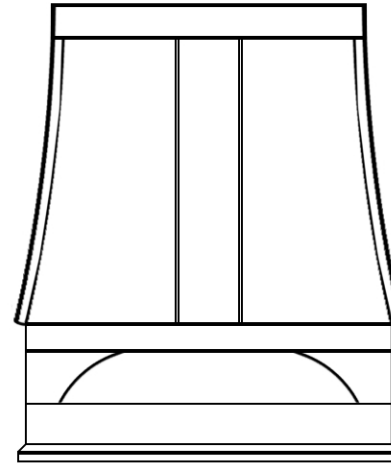
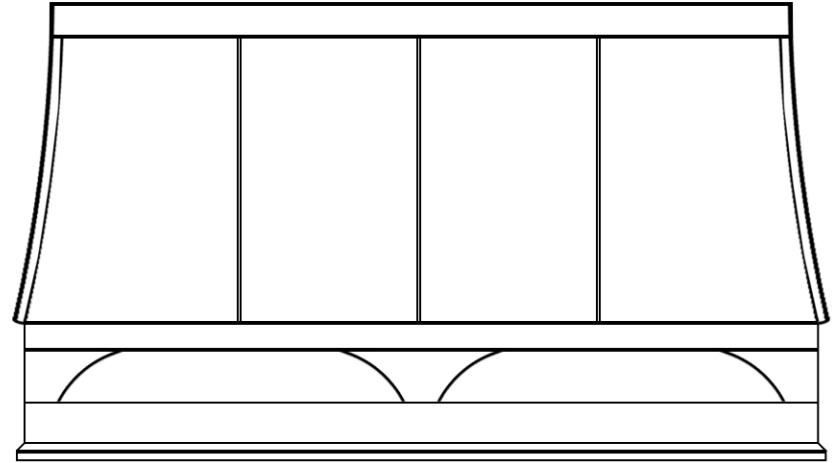
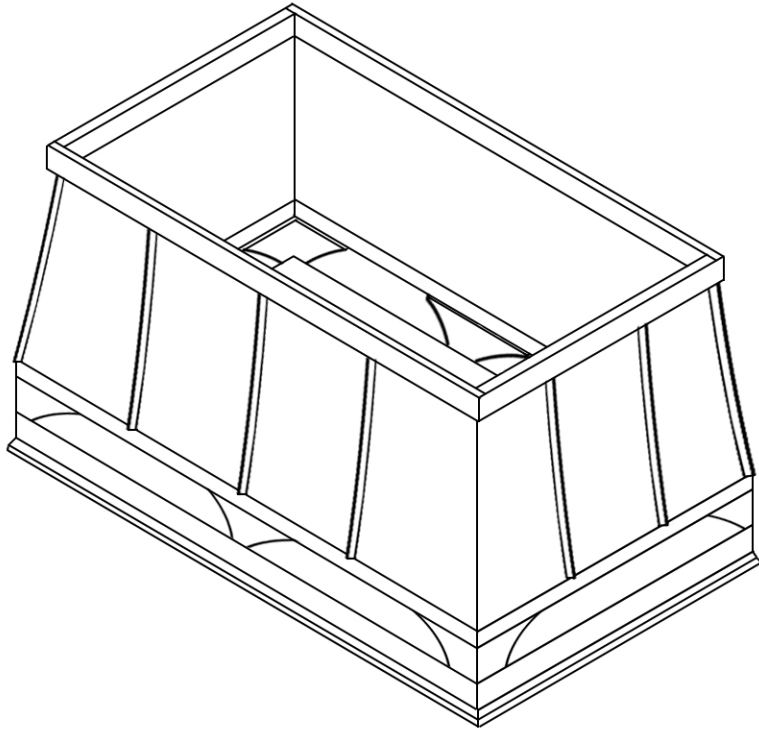
APPROVED BY: _____

Print Name Signature

JOB DETAILS:



566 W 5TH AVE.
 NAPERVILLE, IL 60563
 PHONE: 630-857-3631
 EMAIL: SALVOMETALWORKS@ME.COM
 WEBSITE: SALVOMETALWORKS.COM



COPPER 16 OZ 20 OZ _____

GALVANIZED 24 GAUGE _____

304 STAINLESS STEEL _____

KYNAR STEEL 24 GAUGE OR 26 GAUGE COLOR _____

KYNAR STEEL 24 GAUGE OR 26 GAUGE COLOR _____

ZINC _____

COLOR COPPER _____

APPROVAL SECTION

APPROVED BY: _____
 Print Name Signature

JOB DETAILS:

