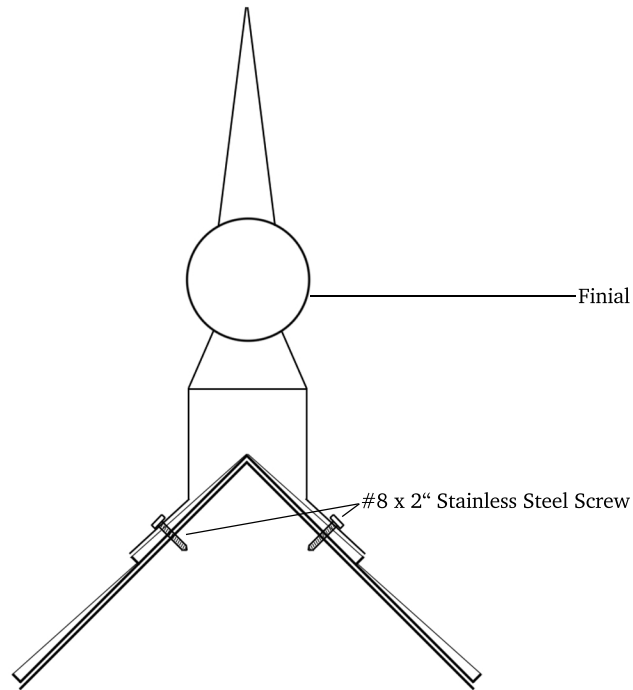


Surface Mounted

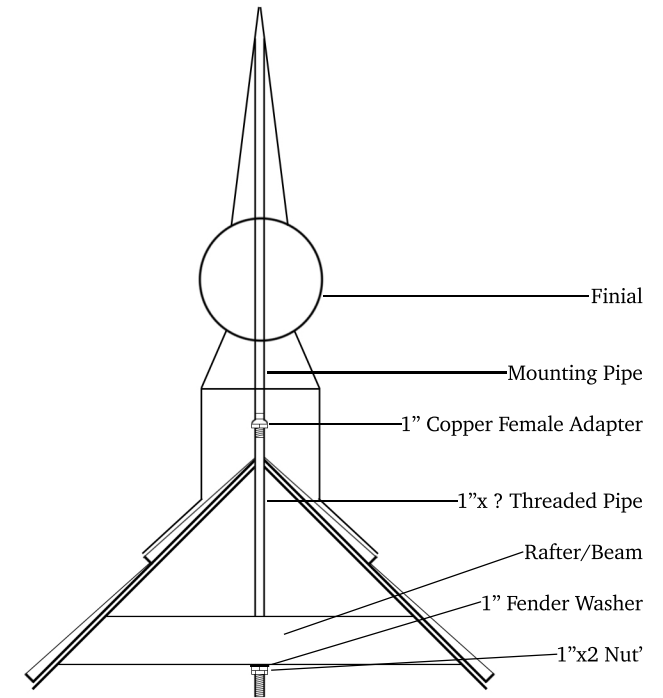


-A minimum of 4 fasteners per finial when surface mounting.

-This method is not recommended for finials larger than 36"

-Call (630)857-3631 with any installation questions you might have.

Rafter / Beam Mounted



-This is the recommended mounting for all SMW finials.

-All SMW Finials have 1" Copper Threaded adapter built into finial.

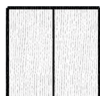
-Lightening rod can be intergrated into finial system.

-Call (630)857-3631 with any installation questions you might have.

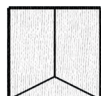
ROOF SHAPE
DIAGRAM



CONE TURRET



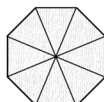
GABLE



HIP - RIDGE



PYRAMID HIP



OCTO HIP



HEXA HIP

Select roof shape at time of ordering.



566 W Fifth Ave
Naperville, IL 60563

(630)857-3631- Office
www.SALVOMETALWORKS.com