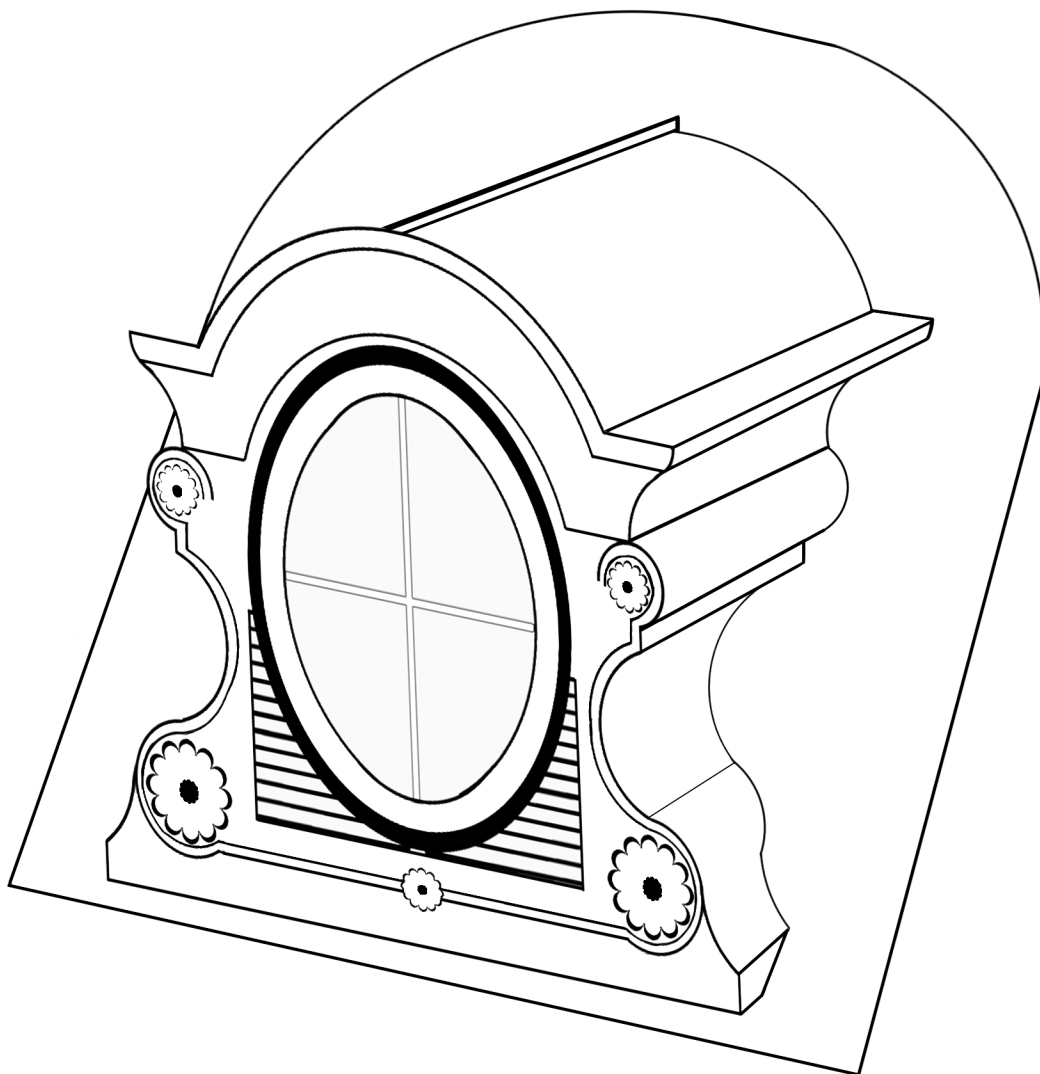


BABEL



Specification Number:	"Babel"Dormer		
Product Description:	SMW Babel Dormer		
Part Number:	Babel	Scale:	NTS
Revision:	A	Date:	05/18/19
Written By:	David J Salvo	Date:	08/08/18
Page 1 of 2:	Proprietary and confidential: The information contained in the specification is the sole property of Salvo Metal Works. Any reproduction in part or whole without the written consent of Salvo Metal Works is prohibited.		

Salvo Metal Works
 566 W. 5th Ave - Naperville, IL 60563
 Tel:630-857-3631 Fax: 630-942-1121
 salvometalworks@me.com
 www.SalvoMetalWorks.com