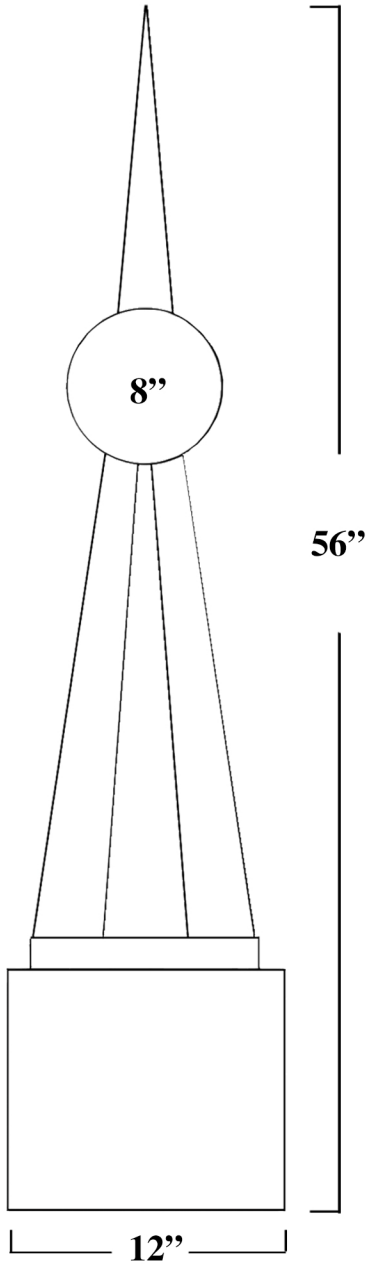
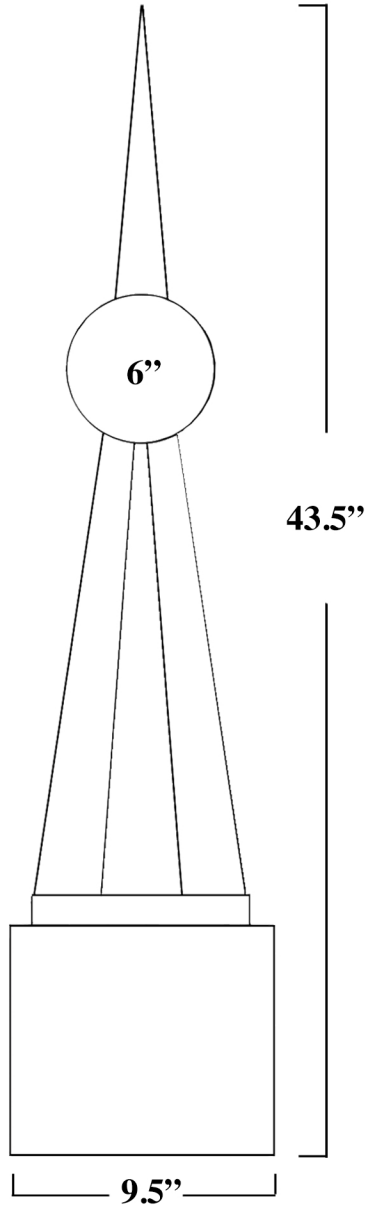


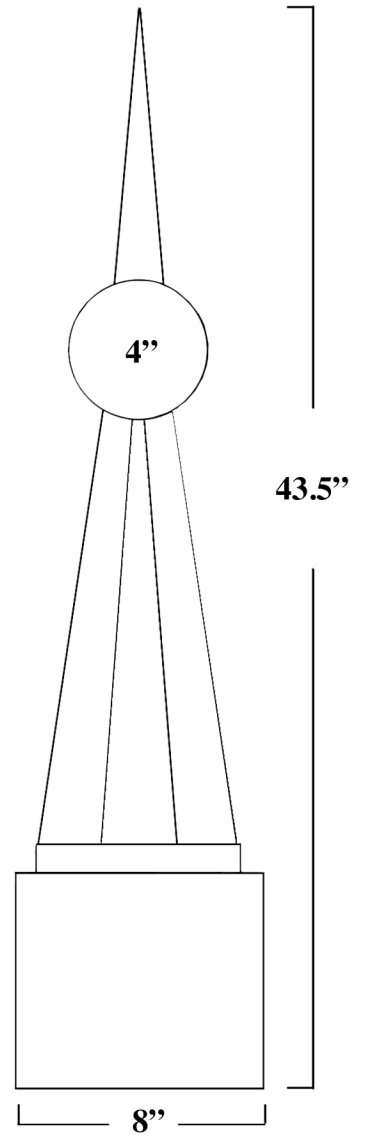
306L



306



306S



|                       |   |        |          |
|-----------------------|---|--------|----------|
| Specification Number: | 306   |        |          |
| Product Description:  | 43 1/2" SMW 306 Finial  |        |          |
| Part Number:          | SMW 306   | Scale: | NTS      |
| Revision:             | A   | Date:  | 08/12/18 |
| Written By:           | David J Salvo   | Date:  | 08/12/18 |
| Page 1 of 2:          | Proprietary and confidential: The information contained in the specification is the sole property of Salvo Metal Works. Any reproduction in part or whole without the written consent of Salvo Metal Works is prohibited. |        |          |

**Salvo Metal Works**  
 566 W. 5th Ave - Naperville, IL 60563  
 Tel:630-857-3631 Fax: 630-942-1121  
 salvometalworks@me.com  
 www.SalvoMetalWorks.com