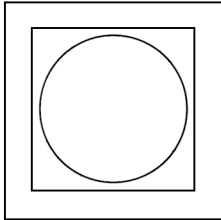


Specification Number:	301 / 301L		
Product Description:	48" SMW 301 Finial / 57" SMW 301L Finial		
Part Number:	SMW 301 / SMW 301L	Scale:	NTS
Revision:	A	Date:	08/08/18
Written By:	David J Salvo	Date:	08/08/18
Page 1 of 2:	Proprietary and confidential: The information contained in the specification is the sole property of Salvo Metal Works. Any reproduction in part or whole without the written consent of Salvo Metal Works is prohibited.		

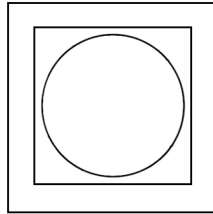
Salvo Metal Works
 566 W. 5th Ave - Naperville, IL 60563
 Tel: 630-857-3631 Fax: 630-942-1121
salvometalworks@me.com
www.SalvoMetalWorks.com

302L



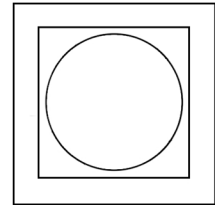
PLAN VIEW

302

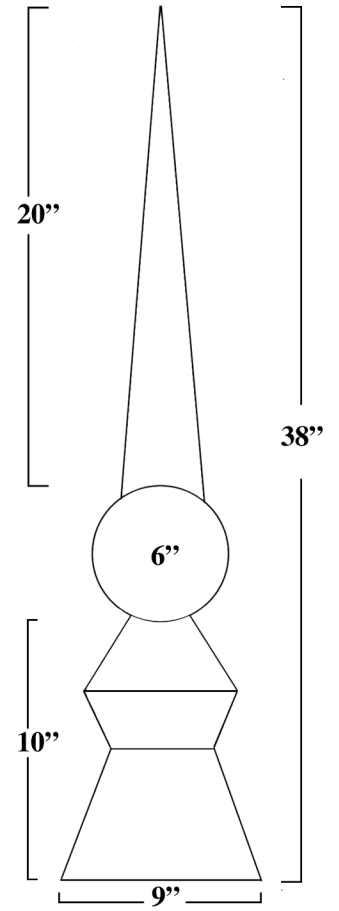
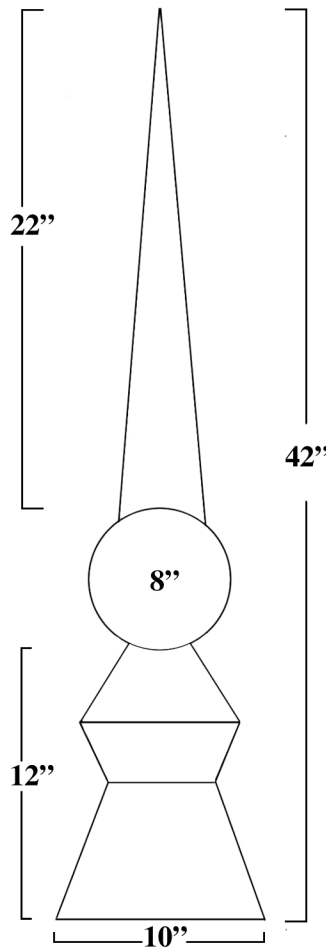
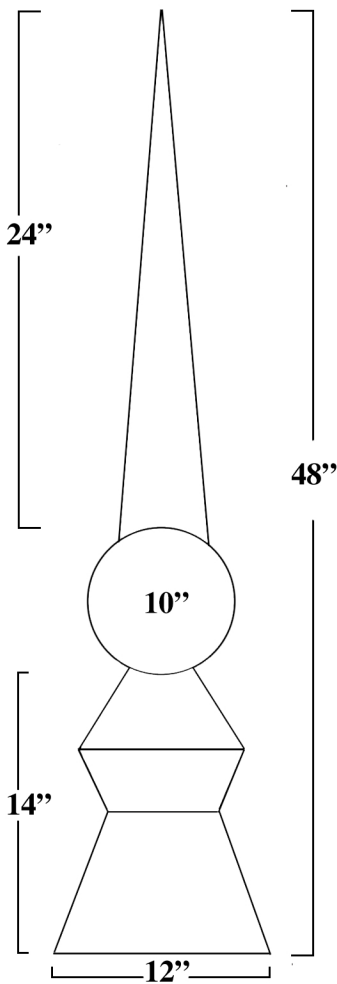


PLAN VIEW

302s



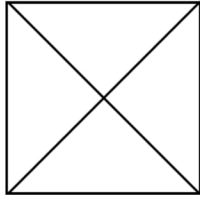
PLAN VIEW



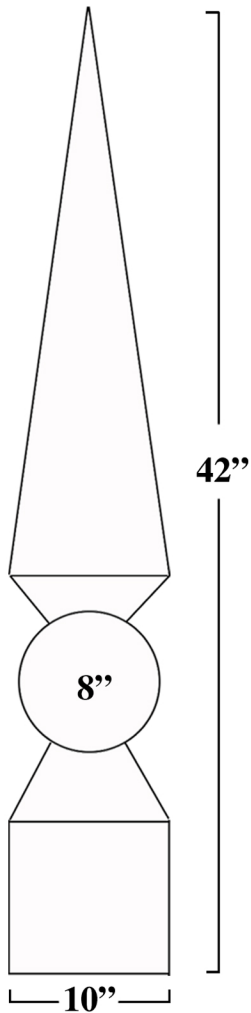
Specification Number:	301 / 301L		
Product Description:	48" SMW 301 Finial / 57" SMW 301L Finial		
Part Number:	SMW 301 / SMW 301L	Scale:	NTS
Revision:	A	Date:	08/08/18
Written By:	David J Salvo	Date:	08/08/18
Page 1 of 2:	Proprietary and confidential: The information contained in the specification is the sole property of Salvo Metal Works. Any reproduction in part or whole without the written consent of Salvo Metal Works is prohibited.		

Salvo Metal Works
 566 W. 5th Ave - Naperville, IL 60563
 Tel:630-857-3631 Fax: 630-942-1121
 salvometalworks@me.com
 www.SalvoMetalWorks.com

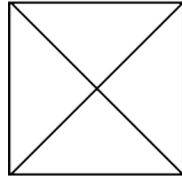
303L



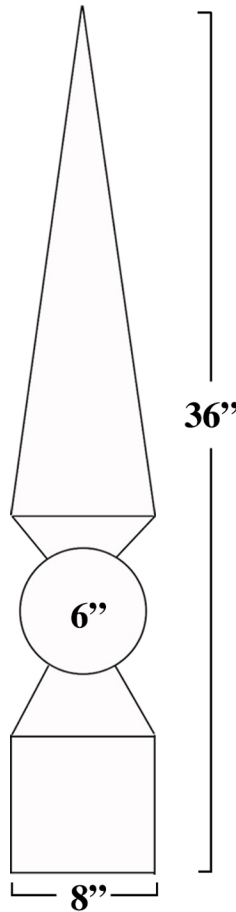
PLAN VIEW



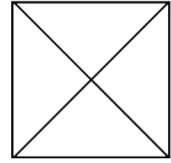
303



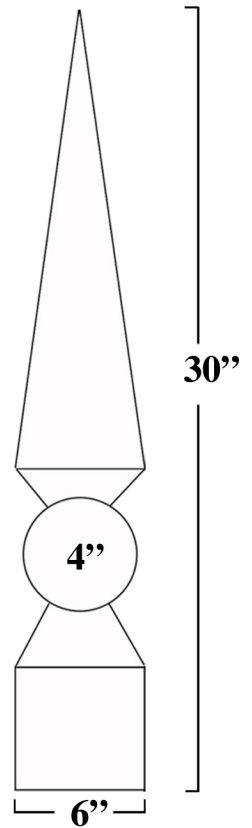
PLAN VIEW



303s



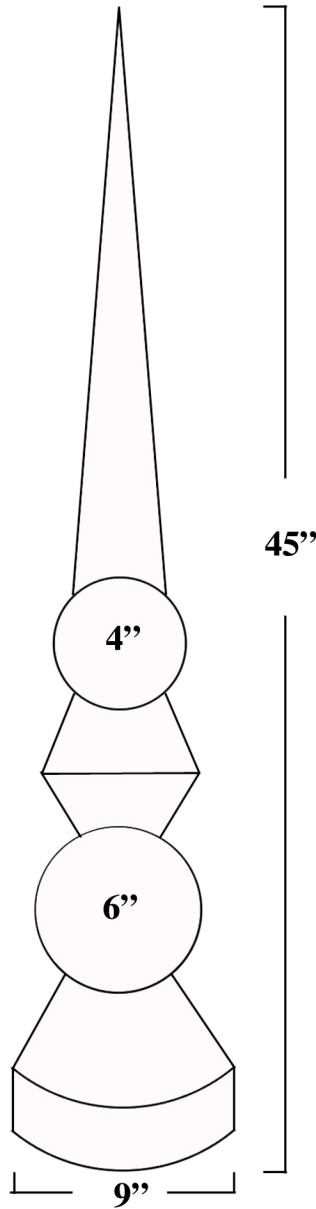
PLAN VIEW



Specification Number:	303s / 303 / 303L		
Product Description:	30" SMW 303s Finial / 36" SMW 303 Finial / 42" 303L SMW Finial		
Part Number:	SMW 303s / SMW 303 / SMW 303L	Scale:	NTS
Revision:	A	Date:	08/12/18
Written By:	David J Salvo	Date:	08/12/18
Page 1 of 2:	Proprietary and confidential: The information contained in the specification is the sole property of Salvo Metal Works. Any reproduction in part or whole without the written consent of Salvo Metal Works is prohibited.		

Salvo Metal Works
 566 W. 5th Ave - Naperville, IL 60563
 Tel:630-857-3631 Fax: 630-942-1121
 salvometalworks@me.com
 www.SalvoMetalWorks.com

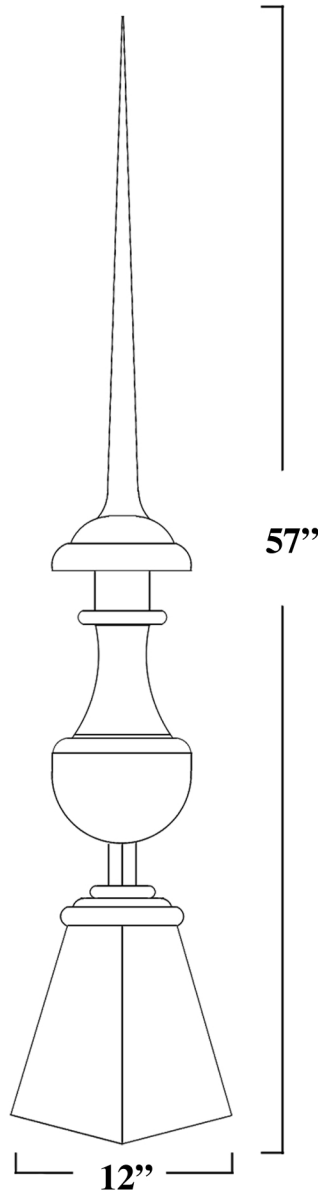
304



Specification Number:	304		
Product Description:	45" SMW 304 Finial		
Part Number:	SMW 304	Scale:	NTS
Revision:	A	Date:	08/12/18
Written By:	David J Salvo	Date:	08/12/18
Page 1 of 2:	Proprietary and confidential: The information contained in the specification is the sole property of Salvo Metal Works. Any reproduction in part or whole without the written consent of Salvo Metal Works is prohibited.		

Salvo Metal Works
 566 W. 5th Ave - Naperville, IL 60563
 Tel: 630-857-3631 Fax: 630-942-1121
 salvometalworks@me.com
 www.SalvoMetalWorks.com

305



Specification Number:	305		
Product Description:	57" SMW 305 Finial		
Part Number:	SMW 305	Scale:	NTS
Revision:	A	Date:	08/12/18
Written By:	David J Salvo	Date:	08/12/18
Page 1 of 2:	Proprietary and confidential: The information contained in the specification is the sole property of Salvo Metal Works. Any reproduction in part or whole without the written consent of Salvo Metal Works is prohibited.		

Salvo Metal Works

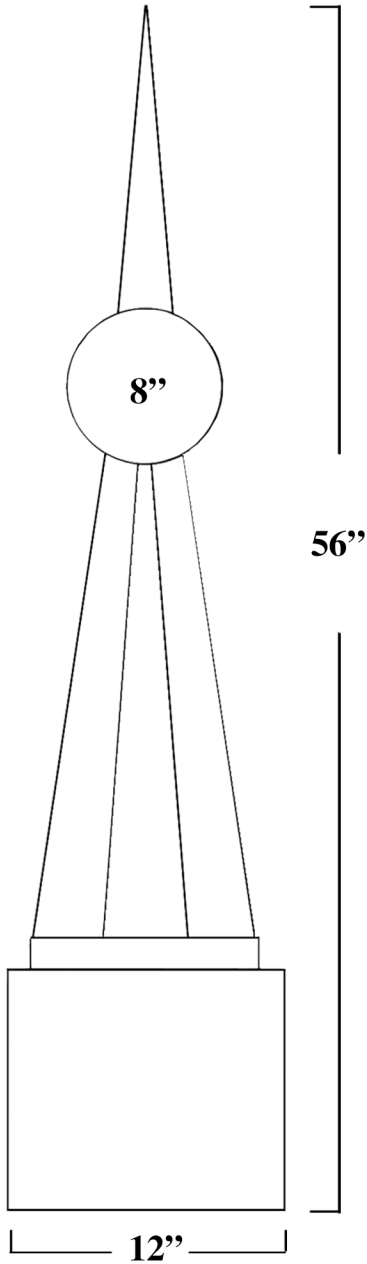
566 W. 5th Ave - Naperville, IL 60563

Tel:630-857-3631 Fax: 630-942-1121

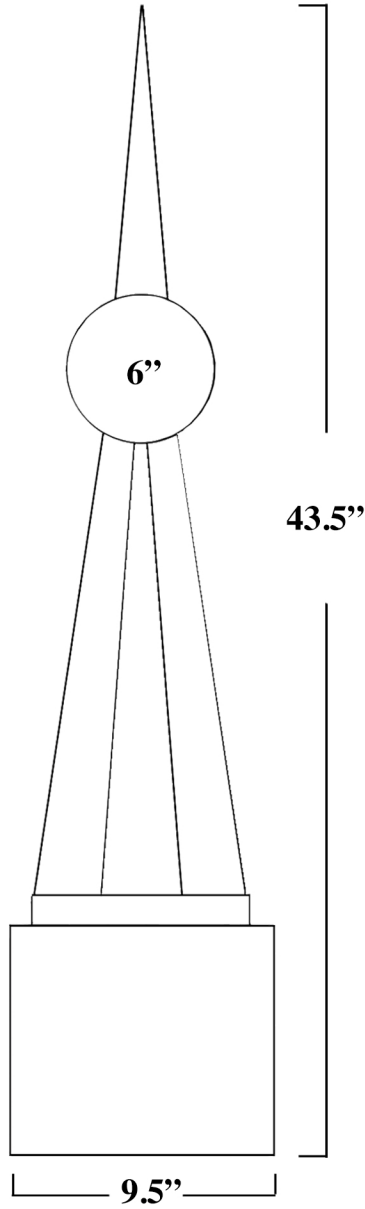
salvometalworks@me.com

www.SalvoMetalWorks.com

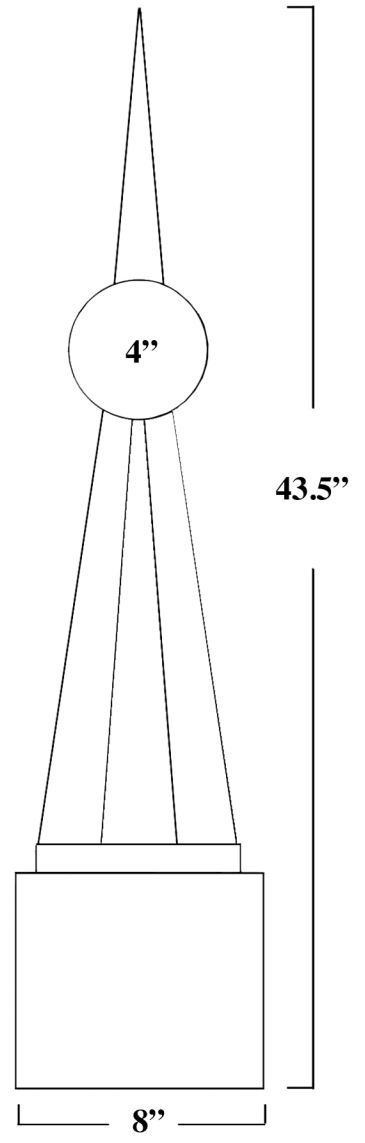
306L



306



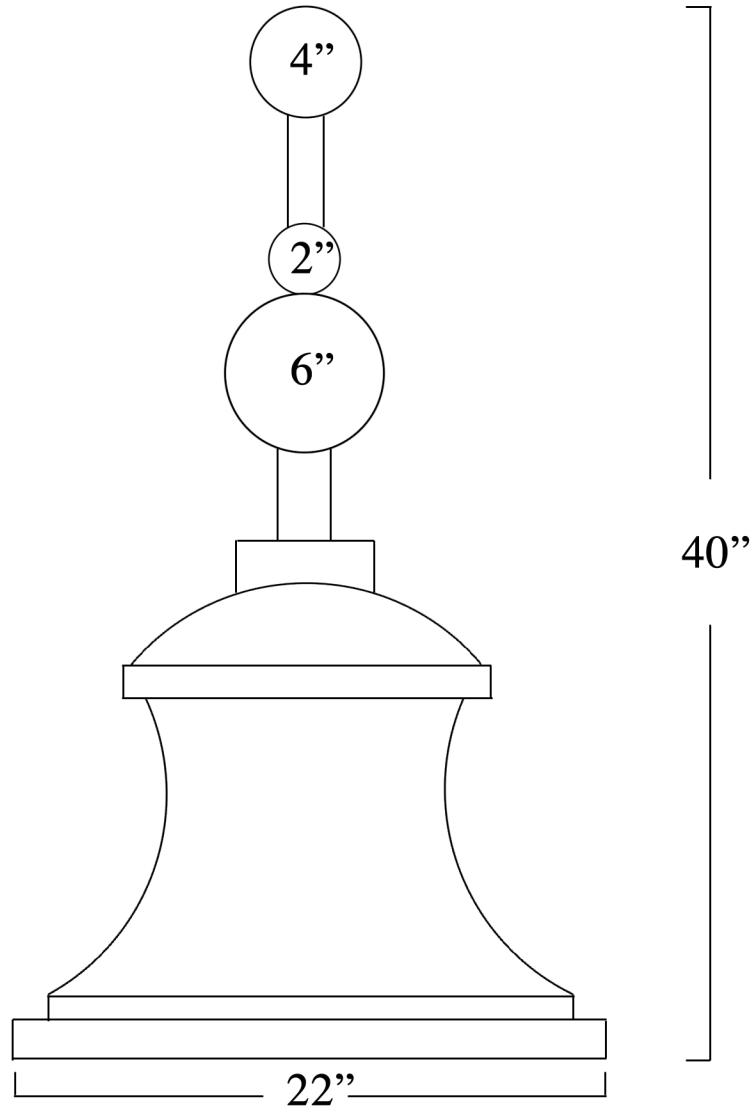
306S



Specification Number:	306		
Product Description:	43 1/2" SMW 306 Finial		
Part Number:	SMW 306	Scale:	NTS
Revision:	A	Date:	08/12/18
Written By:	David J Salvo	Date:	08/12/18
Page 1 of 2:	Proprietary and confidential: The information contained in the specification is the sole property of Salvo Metal Works. Any reproduction in part or whole without the written consent of Salvo Metal Works is prohibited.		

Salvo Metal Works
 566 W. 5th Ave - Naperville, IL 60563
 Tel:630-857-3631 Fax: 630-942-1121
 salvometalworks@me.com
 www.SalvoMetalWorks.com

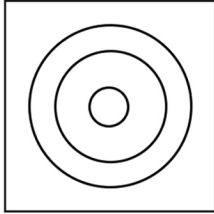
307



Specification Number:	307		
Product Description:	40" SMW 307 Finial		
Part Number:	SMW 307	Scale:	NTS
Revision:	A	Date:	08/12/18
Written By:	David J Salvo	Date:	08/12/18
Page 1 of 2:	Proprietary and confidential: The information contained in the specification is the sole property of Salvo Metal Works. Any reproduction in part or whole without the written consent of Salvo Metal Works is prohibited.		

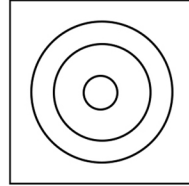
Salvo Metal Works
 566 W. 5th Ave - Naperville, IL 60563
 Tel:630-857-3631 Fax: 630-942-1121
 salvometalworks@me.com
 www.SalvoMetalWorks.com

308L



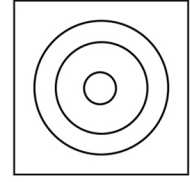
PLAN VIEW

308

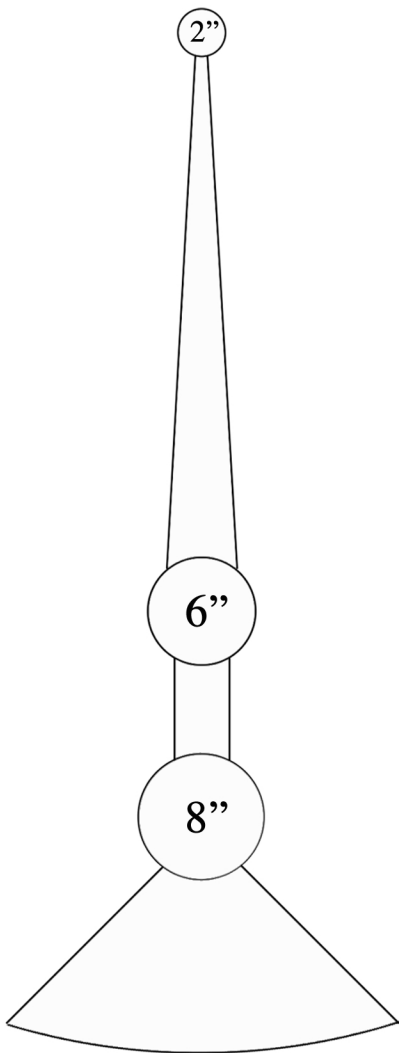


PLAN VIEW

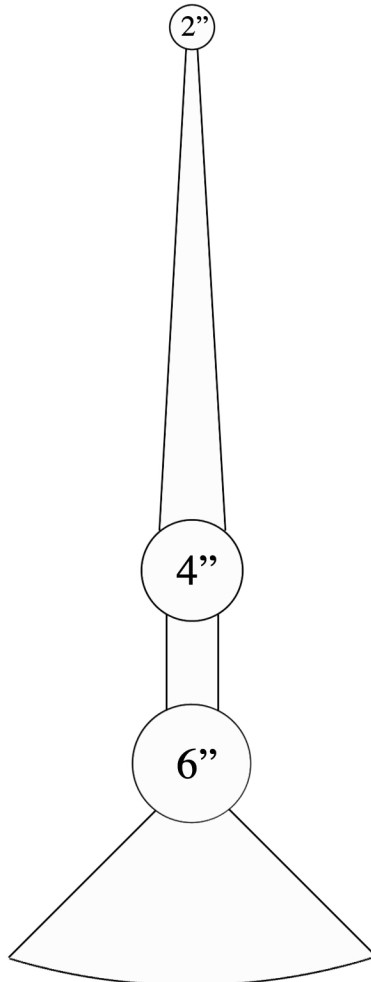
308s



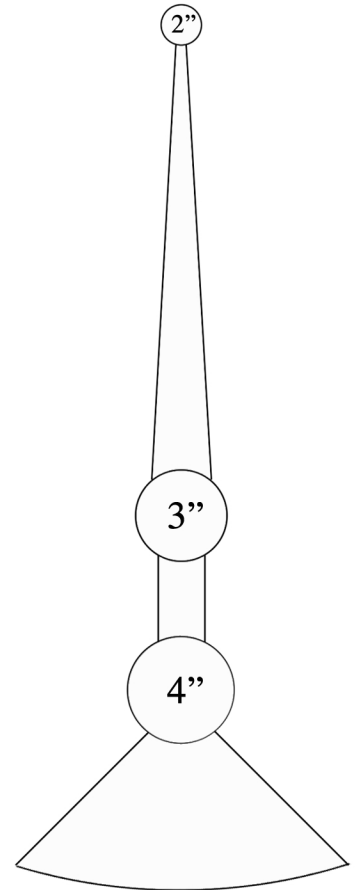
PLAN VIEW



66"



56"

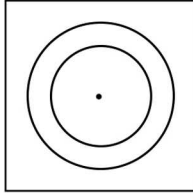


46"

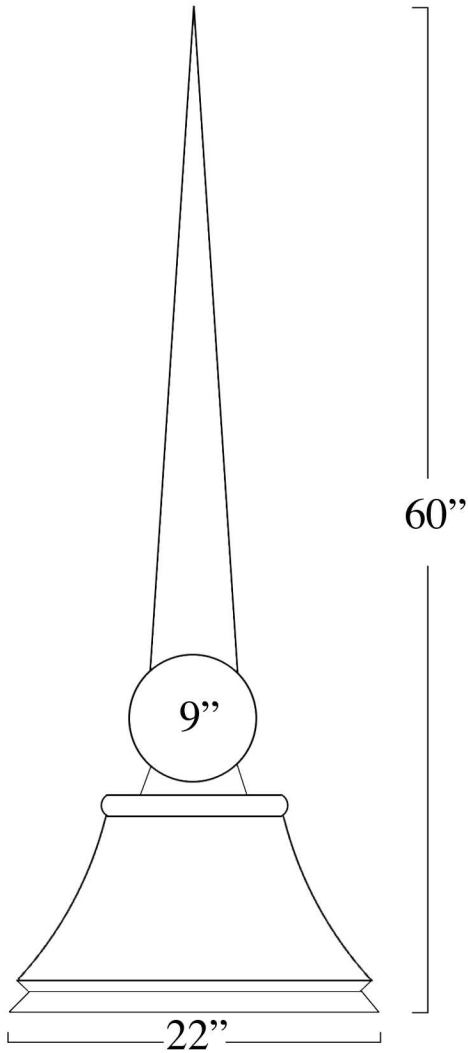
Specification Number:	308s / 308 / 308L		
Product Description:	46" SMW 308s Finial / 56" SMW 308 Finial / 66" SMW 208L Finial		
Part Number:	SMW 308s / SMW 308 / SMW 308L	Scale:	NTS
Revision:	A	Date:	08/08/18
Written By:	David J Salvo	Date:	08/08/18
Page 1 of 2:	Proprietary and confidential: The information contained in the specification is the sole property of Salvo Metal Works. Any reproduction in part or whole without the written consent of Salvo Metal Works is prohibited.		

Salvo Metal Works
 566 W. 5th Ave - Naperville, IL 60563
 Tel:630-857-3631 Fax: 630-942-1121
 salvometalworks@me.com
 www.SalvoMetalWorks.com

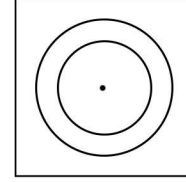
309L



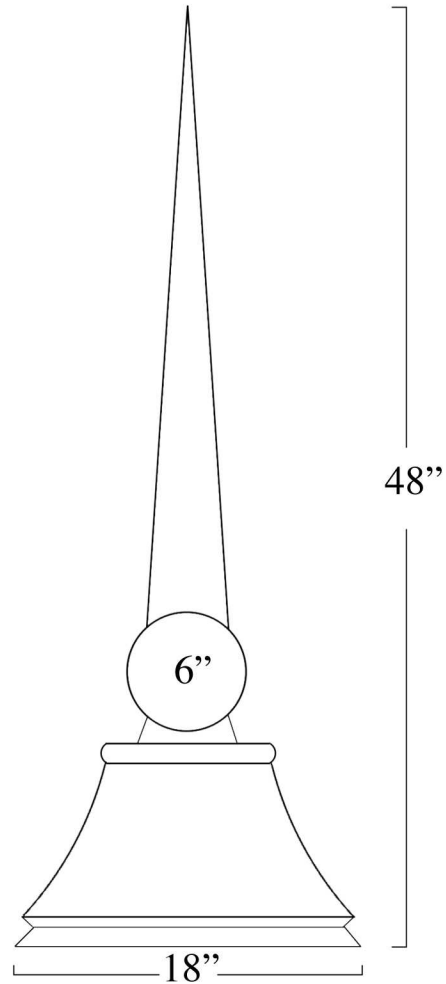
PLAN VIEW



309



PLAN VIEW



Specification Number:	309 / 309L		
Product Description:	48" SMW 309 Finial / 60" SMW 309L Finial		
Part Number:	SMW 309 / SMW 309L	Scale:	NTS
Revision:	A	Date:	08/08/18
Written By:	David J Salvo	Date:	08/08/18
Page 1 of 2:	Proprietary and confidential: The information contained in the specification is the sole property of Salvo Metal Works. Any reproduction in part or whole without the written consent of Salvo Metal Works is prohibited.		

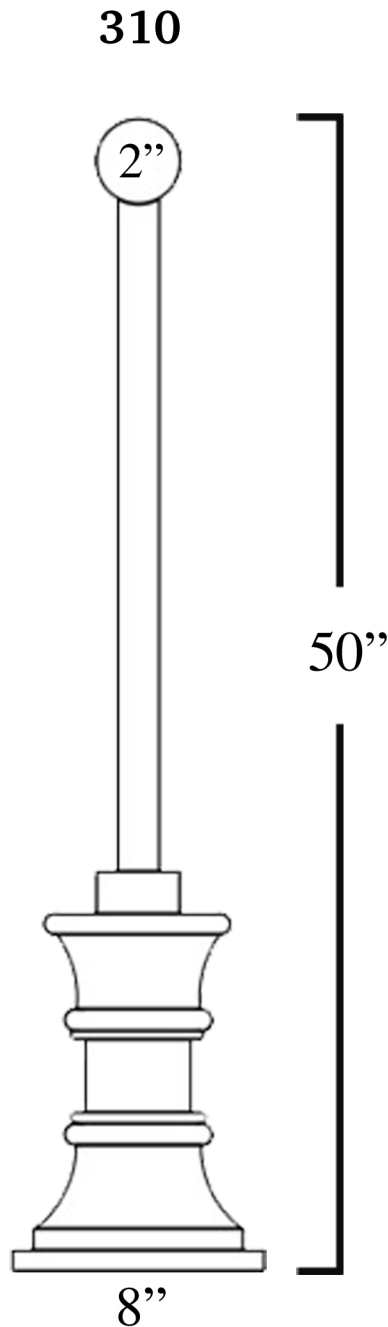
Salvo Metal Works

566 W. 5th Ave - Naperville, IL 60563

Tel:630-857-3631 Fax: 630-942-1121

salvometalworks@me.com

www.SalvoMetalWorks.com



Specification Number:	310		
Product Description:	50" SMW 310 Finial		
Part Number:	SMW 310	Scale:	NTS
Revision:	A	Date:	08/12/18
Written By:	David J Salvo	Date:	08/12/18
Page 1 of 2:	Proprietary and confidential: The information contained in the specification is the sole property of Salvo Metal Works. Any reproduction in part or whole without the written consent of Salvo Metal Works is prohibited.		

Salvo Metal Works
 566 W. 5th Ave - Naperville, IL 60563
 Tel:630-857-3631 Fax: 630-942-1121
 salvometalworks@me.com
 www.SalvoMetalWorks.com