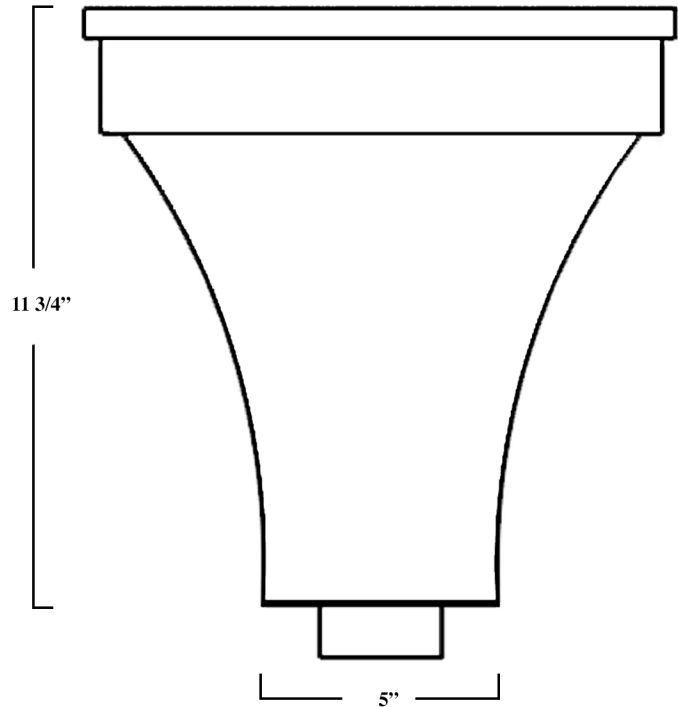
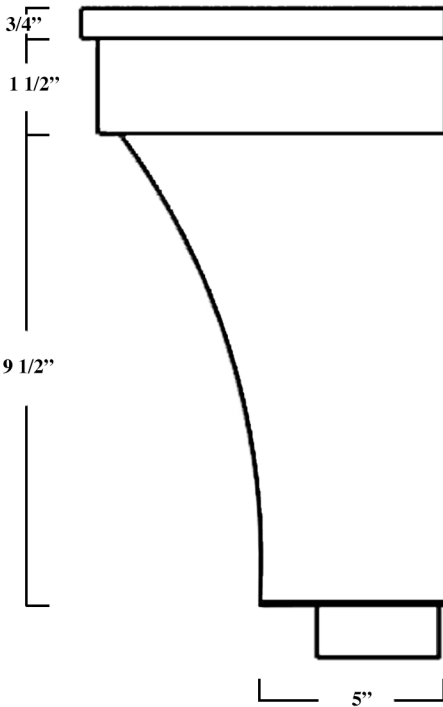
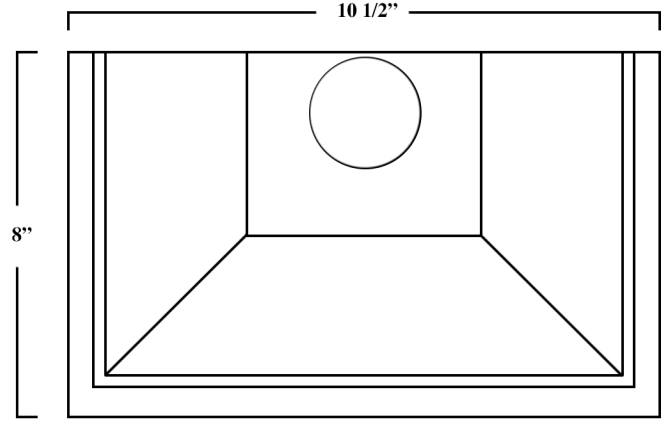


205



Specification Number:	205L		
Product Description:	SMW 205L Leader Box		
Part Number:	SMW 205L	Scale:	NTS
Revision:	A	Date:	08/13/18
Written By:	David J Salvo	Date:	08/13/18
Page 1 of 2:	Proprietary and confidential: The information contained in the specification is the sole property of Salvo Metal Works. Any reproduction in part or whole without the written consent of Salvo Metal Works is prohibited.		

Salvo Metal Works
566 W. 5th Ave - Naperville, IL 60563
Tel:630-857-3631 Fax: 630-942-1121
salvometalworks@me.com
www.SalvoMetalWorks.com