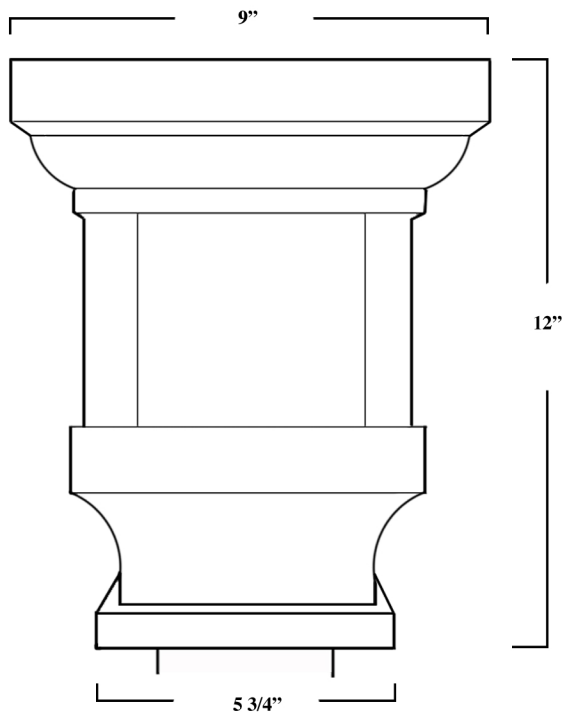
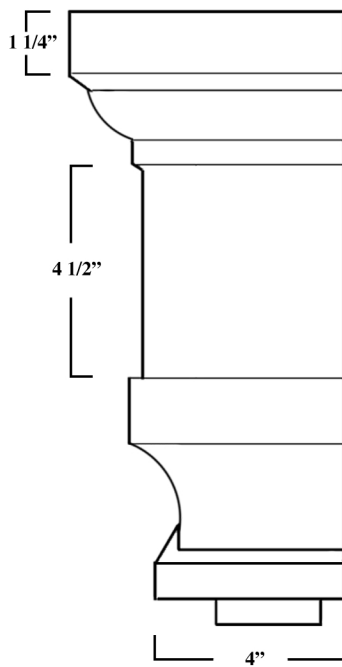
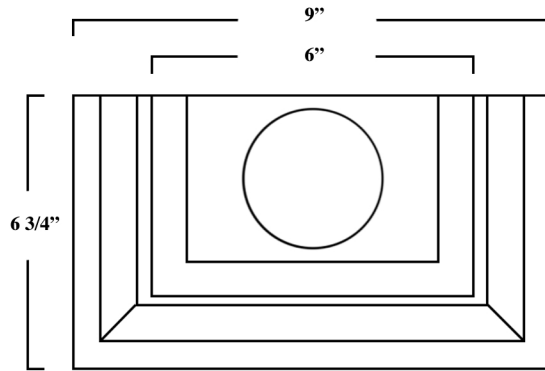


202



Specification Number:	202		
Product Description:	SMW 202 Leader Box		
Part Number:	SMW 202	Scale:	NTS
Revision:	A	Date:	08/13/18
Written By:	David J Salvo	Date:	08/13/18
Page 1 of 2:	Proprietary and confidential: The information contained in the specification is the sole property of Salvo Metal Works. Any reproduction in part or whole without the written consent of Salvo Metal Works is prohibited.		

**Salvo Metal Works**  
 566 W. 5th Ave - Naperville, IL 60563  
 Tel:630-857-3631 Fax: 630-942-1121  
[salvometalworks@me.com](mailto:salvometalworks@me.com)  
[www.SalvoMetalWorks.com](http://www.SalvoMetalWorks.com)